



## MP-265/MPC-365

### NARROW FORMAT MANIPULATOR SYSTEM



#### FEATURES MP-265/MPC-365

- Single controller and ROE will run two stepper motor drive manipulators
- Self-detecting, daisy-chain capability allows control of four manipulators from the ROE-200
- User-friendly interface: single button access to all major functions
- New Accelerated Mode for fast, manual manipulator movement
- Easy toggle selection of Mode (speed/resolution, pulsed diagonal, Accelerated Mode)
- Display indicates X, Y, Z coordinates, Mode, active manipulator
- Robotic Home and Work position moves for easy automated pipette exchange
- Faster robotic moves than previous versions
- Definable 4th axis for coaxial pipette movement, angle selected by DIP switches
- Simple USB interface
- Toggle switch selects which manipulator is connected to input device
- LED and display indicate active manipulator
- Low-drift mechanical stability
- Narrow stand with linear slide or rotating base mounting options



Our MP-265/M “narrow format” mechanical is designed for patch-slice manipulator systems that require more than 2 or 3 pipettes as well as for other setups where space is limited.

The MP-265/M mechanical builds on our existing manipulator line in several ways. First, the narrow format means more manipulators can be grouped around a recording chamber. Next, the narrow format MP-265/M allows a high precision manipulator to be inserted into small spaces in existing setups. Finally, travel in the Y-axis is shortened (12.5 mm) both to economize on width and because radially oriented manipulators do not require long travel in the transverse axis.

The MP-265/M manipulator was designed specifically for systems requiring 4 or more manipulators. To this end, we have put together systems with special pricing for 4, 5 and 6 manipulators, and 2 or 3 dual manipulator controllers. The optional narrow format stand and linear slide or rotating base is available for mounting the MP-265/M mechanical. With the 150mm throw of the linear slide, the manipulator can be quickly and smoothly moved out to a location where there is easy access to the pipette for replacement. A rotating base can be used for mounting to large platform stages like the Sutter MT-78, or smaller Sutter MD Series platforms.

MPC-365 systems are formed by using the popular Sutter MPC-200 dual manipulator controller and ROE-200, with one or more MP-265/M mechanicals. A single MPC-200 controller and ROE-200 can run one or two MP-265/M manipulators. A single ROE-200, when paired with two MPC-200 controllers can control up to four MP-265/M manipulators. If you require more manipulators in a single setup, you simply duplicate the smaller systems. A new firmware version of the MPC-200/ROE-200 automatically recognizes the MP-265/M mechanical and adjusts accordingly.

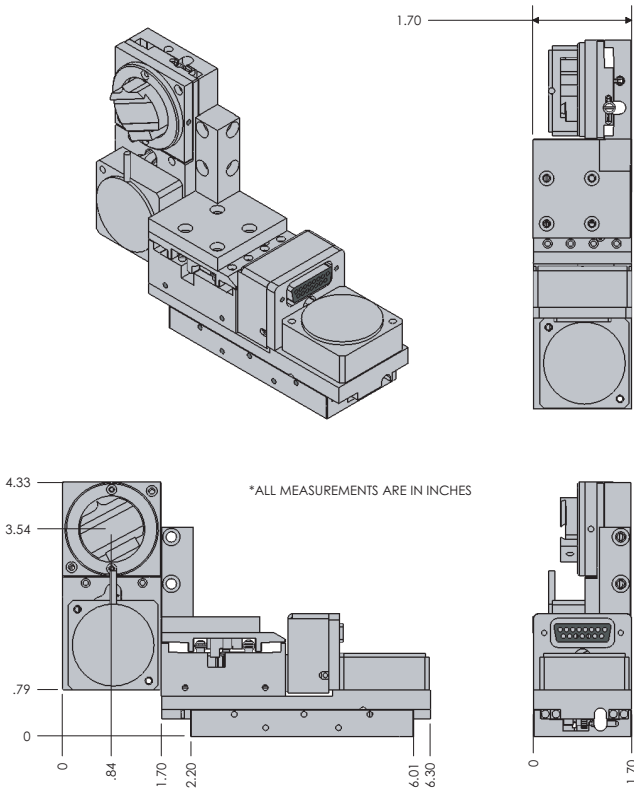


## SPECIFICATIONS MP-265/MPC-365

- **Resolution** Minimal microstep size is 62.5 nanometers per microstep. Display has single micron resolution.
- **Maximum Speed** MP-265 mechanical 3mm/sec
- **DRIFT** < 1 micron/hr Drive Mechanism
- **Dimensions**
  - Controller* 15.75in x 10.75in x 3.5in
  - (MPC-200):* 40cm x 27.3cm x 9cm
  - ROE:* 10in x 6in x 4in
  - 25cm x 15cm x 23cm
- **Weight**
  - Controller:* 6.5lb/3kg
  - ROE:* 3.5lb/1.6kg
- **Electrical**
  - 115/230 Volts
  - 50/60 Hertz power line



## MECHANICAL DRAWINGS OF THE MP-265/MPC-365





---

## MP-265/MPC-365

---

- **MPC-365** One MP-265/M manipulator mechanical, one MPC-200 controller and one ROE-200, mounting adapter plate, rod holder, 4 inch dovetail extension, manipulator and ROE connecting cables, power cord and manual.\*
- **MPC-365-2** Same as the MPC-365, but with two MP-265/M mechanicals\*
- **MPC-365-3** Same as the MPC-365, but with three MP-265/M mechanicals, and two MPC-200 controllers.\*
- **MPC-365-4** Same as the MPC-365, but with four MP-265/M MP-265/M mechanicals, and two MPC-200 controllers.\*
- **MPC-365-5** Same as the MPC-365, but with five MP-265/M mechanicals, three MPC-200 controllers, and two ROE-200 user interfaces.\*
- **MPC-365-6** Same as the MPC-365, but with six MP-265/M mechanicals, three MPC-200 controllers, and two ROE-200 user interfaces.\*

\* Indicate right- or left-handed set-up when ordering

---

## COMPONENTS MP-265/MPC-365

---

- **MPC-200** Controller box alone. Purchase this if you intend to daisy-chain two controllers to one ROE-200. In this configuration, up to four manipulators can be controlled by a single ROE-200. NOTE: This is not a stand-alone device. In order to function, the MPC-200 must be connected to a second MPC-200 with ROE-200 attached or be connected to its own ROE-200. Includes daisy-chain cables, power cord and manual.
- **ROE-200** This is the ROE alone. Provides user input to one or more MPC-200 controllers. This component is intended for users who have an existing four-manipulator MPC-200 system with a single ROE-200 and wish to split it into two independent two-manipulator systems. Includes cable to connect ROE to controller.
- **MP-265/M** The MP-265 manipulator mechanical alone. Includes mounting adapter plate, rod holder, 4 inch dovetail extension, and cable to connect manipulator to controller.



## ACCESSORIES MP-265/MPC-365

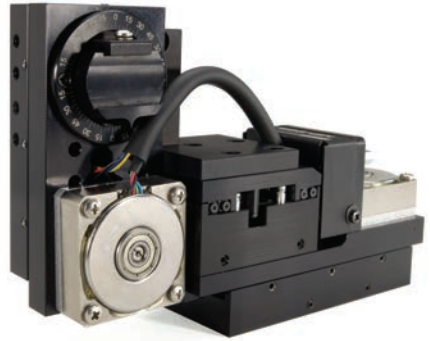
- **MT-73<sup>1</sup>** Narrow format stand with linear slide
- **265RBI<sup>2</sup>** Rotating base for MP-265
- **M100106** Flat side panel for controller (each)

<sup>1</sup> Suitable for upright scopes

<sup>2</sup> Useful with Sutter MD stand and large platform stages such as the MT-78-FS, MP-78 and MPC-78



(Shown: Height-adjustable MT-73 stand)



(Shown: MP-265/M mechanical)



(Shown: 265RBI rotating base)